

GLEASON® - DW SERIES CONDUCTOR BAR SYSTEMS

FEATURES:

- SAFE CONTINUOUS CONTACT
(EXCEPT AT THE POWER SUPPLY POINT)
- SMALL PROFILE FOR COMPACT INSTALLATIONS
- ECONOMICAL
- SELF-EXTINGUISHING INSULATION
- 600 V AC / 600 V DC WORKING VOLTAGE
- SIDE MOUNT CAPABLE

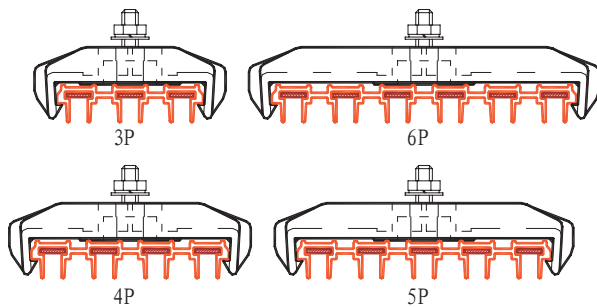
APPLICATIONS:

- MACHINE TOOLS
- AUTOMATED STORAGE / RETRIEVAL SYSTEMS
- WORKSHOPS
- HOISTS
- CIRCULAR INSTALLATIONS



MODEL NUMBER	RATED CURRENT	NO. OF POLES	RAIL LENGTH	MAXIMUM SPEED/MIN.	HANGER SPACING	TEMPERATURE RATING	EXPANSION JOINT	ENCLOSURE
			M (FT)	M (FT)	M (FT)	C (F)	MM (IN.)	MM (IN.)
DW 803	80	3	6 (19.7)	300 (984)	.6 - 1.5 (2 - 5)	-25 to 75 (-13 to 167)	100 (328)	14 x 56 (.55 x 2.2)
DW 804	80	4	6 (19.7)	300 (984)	.6 - 1.5 (2 - 5)	-25 to 75 (-13 to 167)	100 (328)	14 x 76 (.55 x 3)
DW 805	80	5	6 (19.7)	300 (984)	.6 - 1.5 (2 - 5)	-25 to 75 (-13 to 167)	100 (328)	14 x 96 (.55 x 3.78)
DW 806	80	6	6 (19.7)	300 (984)	.6 - 1.5 (2 - 5)	-25 to 75 (-13 to 167)	100 (328)	14 x 116 (.55 x 4.56)

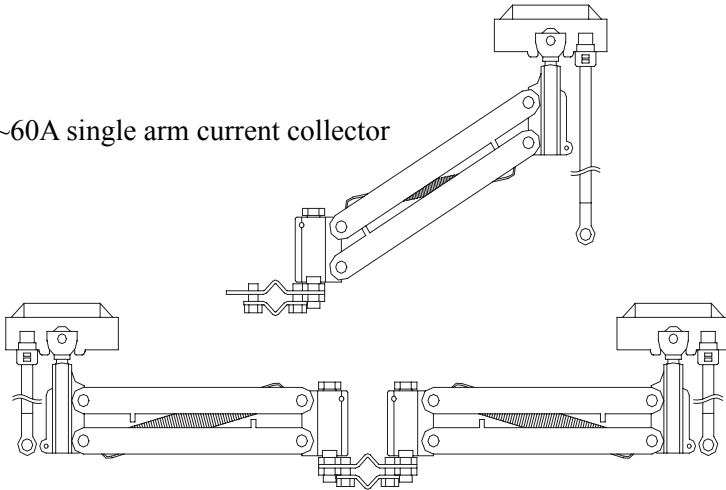
Hanger / Anchor:



Size (mm)				Applicability
A	B	C	M	
56	72	25	10	3-20/80A
76	90	25	10	4-20/80A
96	110	25	10	5-20/80A
116	128	25	10	6-20/80A

Collector Assembly:

30~60A single arm current collector

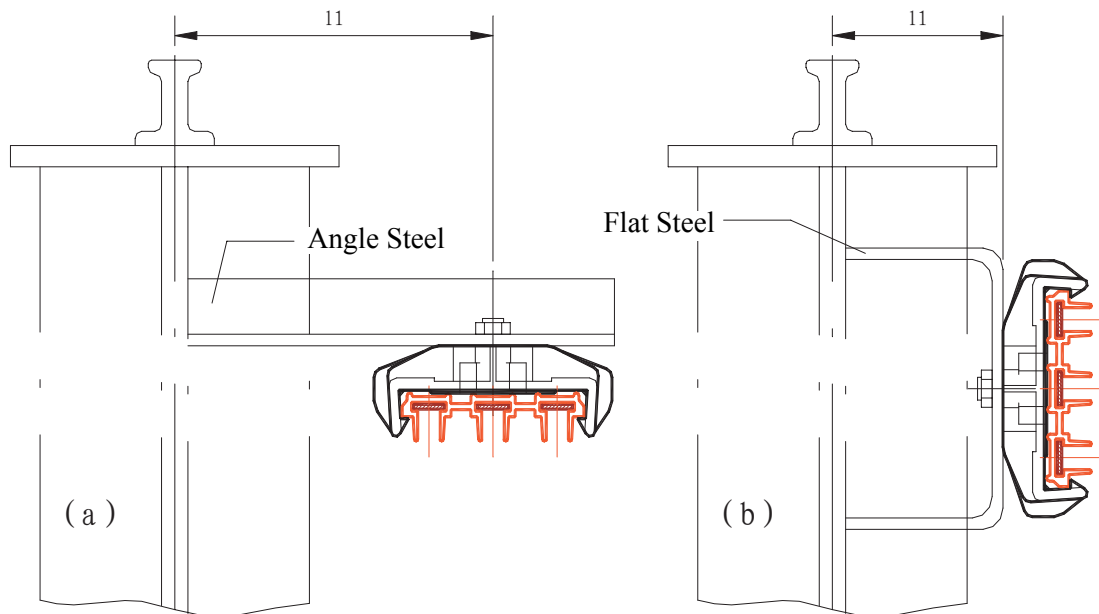


30~60A twin-arm current collector

Size (mm)			Applicability
A	B	C	
243	165	71	3-20/80A
248	165	87	3-20/80A
165	167	114	3-20/80A
243	165	71	4-20/80A
248	165	87	4-20/80A
165	167	114	4-20/80A
243	165	71	5-20/80A
248	165	87	5-20/80A
165	167	114	5-20/80A
243	165	71	6-20/80A
248	165	87	6-20/80A
165	167	114	6-20/80A

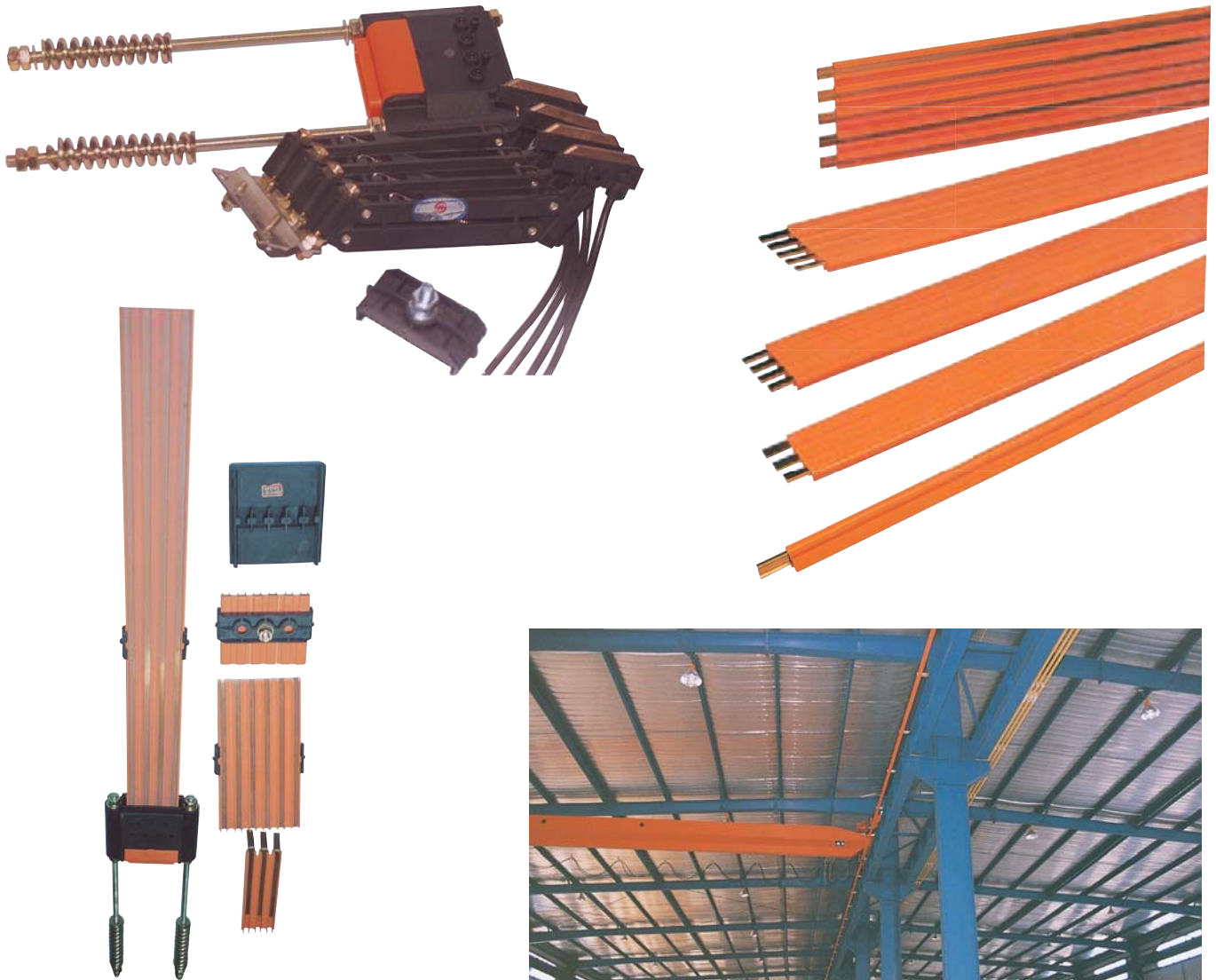
Mounting Method:

Two modes: horizontal mode (a) and vertical mode (b). See figures below:



Mode (b) is recommended for the curve track.

APPLICATION & PRODUCT PHOTOS



Gleason Reel Corp.
600 S. Clark St.
Mayville, WI 53050
PH 920-387-4120 | FAX 920-387-4189
www.hubbell-gleason.com

DWCB0211